



**hurlcon**

## CTX series pool and spa pumps

With pool pumps, it really is the survival of the fittest. The Australian environment is tough on pool and spa pumps.

Internally, they must adapt to ever increasing pressure levels. Externally, they have to cope with the climate and the elements. Only the best survive.

It's an environment in which all Hurlcon pumps thrive and one in which the CTX Series has set a new benchmark in performance and durability.



**CTX**

# Hurlcon CTX series pool and spa pumps



### Performance.

With increasing levels of automation and equipment on pools and spas, internal head pressures are constantly rising as pumps try to push water through pool filters, salt chlorinators, in-floor cleaning systems or multi jet spas.

The CTX Series has been designed to comfortably meet this need by delivering a much higher head pressure and overall performance than most competitors. And surprisingly, it does it with greater efficiency and at greatly reduced noise levels.

### Quiet.

High quality materials and rigid construction reduce operating noise.

### Efficient.

CTX also moves more water, using less power, in fewer hours per day. Fewer operating hours means lower operating costs.

### Reliable.

External protection on the CTX is provided by a single piece body of super tough and stable material, a corrosion-resistant, high-tech, glass-reinforced thermoplastic. An inbuilt non-return valve eliminates reverse rotation of the impeller in high pressure situations ensuring reliability.

### Quality Components.

Internally, stainless steel shafts and 'lapped true carbon face and ceramic seals' also help achieve the highest standards of reliability and durability. Flame retardant plastic components house P2 rated capacitors for safe, reliable operation

### Genus Technology.

The CTX Series is not just a pump, its part of a family of high quality, highly intelligent, interconnected products that together, take total care of your pool and spa.

The Genus controller links all the separate components together through a single control that allows any member of the family to operate the system.

### Convenience.

The large hair and lint pot requires less frequent cleaning and the clear cleaning the strainer basket. Inlet inspection lid is easily undone for and outlet barrel union connections allow for quick and easy installation and removal for servicing.

### Range.

The Hurlcon CTX series Pool and Spa Pumps are available in 6 sizes from

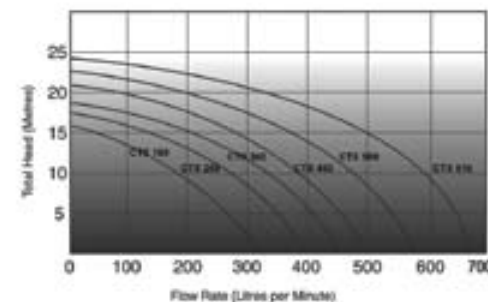
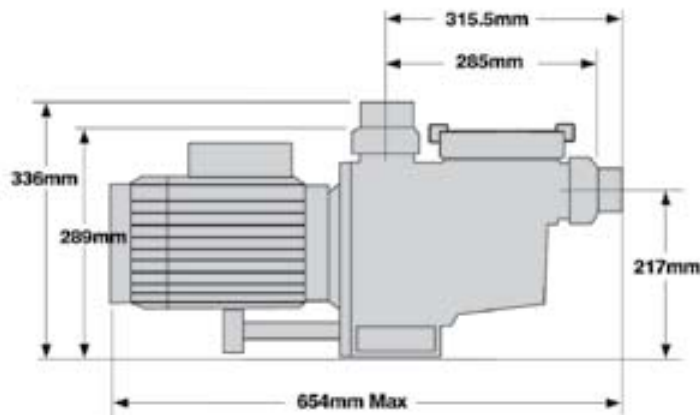
0.75 horsepower to 3.00 horsepower and most models are available in 415 V 3 Phase power supply.

### Warranty.

Each pump is covered by a limited 3 year warranty against defects in materials and workmanship. For full details refer to the CTX Series Instruction Sheet.

### Specifications.

Model	Volts	Phase	Input Watts	Horse Power	Flow Rate @ 8 m/h	Max Noise @ 1 mtr	Full Load Amps
CTX 180	240	Single	750	0.75	180 lpm	59 dBA	3.8
CTX 280	240	Single	1260	1.00	280 lpm	61 dBA	5.3
CTX 360	240	Single	1360	1.25	360 lpm	62 dBA	7.1
CTX 400	240	Single	1500	1.50	400 lpm	63 dBA	7.9
CTX 500	240	Single	1900	2.00	500 lpm	64 dBA	8.3
CTX 610	240	Single	2300	3.00	610 lpm	65 dBA	12.5



Available from:



www.astralpool.com.au  
or sales@astralpool.com.au

**Melbourne Office:**  
Ph: 03 9554 2260  
Fax: 03 9554 2271

**Sydney Office:**  
Ph: 02 9853 2100  
Fax: 02 9853 2170

**Brisbane Office:**  
Ph: 07 3308 5400  
Fax: 07 3308 5470

**Gold Coast Office:**  
Ph: 07 5552 2600  
Fax: 07 5552 2670

**Adelaide Office:**  
Ph: 08 8349 2500  
Fax: 08 8349 2570

**Perth Office:**  
Ph: 08 9350 2600  
Fax: 08 9350 2670

**Townsville Office:**  
Ph: 07 4750 3100  
Fax: 07 4750 3170